

BrackIT[®] XL HD fullmotion wall mount

Item no.: 1987

The tiltable and swiveling BrackIT XL HD wall bracket is suitable for single screens between 55 and 75" / 140 - 191 cm*.

Installation is possible in landscape or potrait orientation using the included VESA universal mount up to a maximum of VESA 800 x 600 mm.

The angle of inclination of the bracket can be varied continuously between -2° and +12°. The lock in the desired position is done using two side handles.

The bracket can also be swiveled up to ± 45° - depending on the size of the screen.

A subsequent level compensation of ±5° is also possible (tool needed).

The distance from the wall can be adjusted between 60 mm min. and 500 mm max. using the extension.

The cables are routed along the arms using cable clips. This allows the cables to be laid neatly and does not interfere with the movement of the holder.

The maximum load is 80 kg.



distance to wall: 60 min. to 500 mm max



no tools needed to set tilt angle



VESA 800 x 600 mm max.



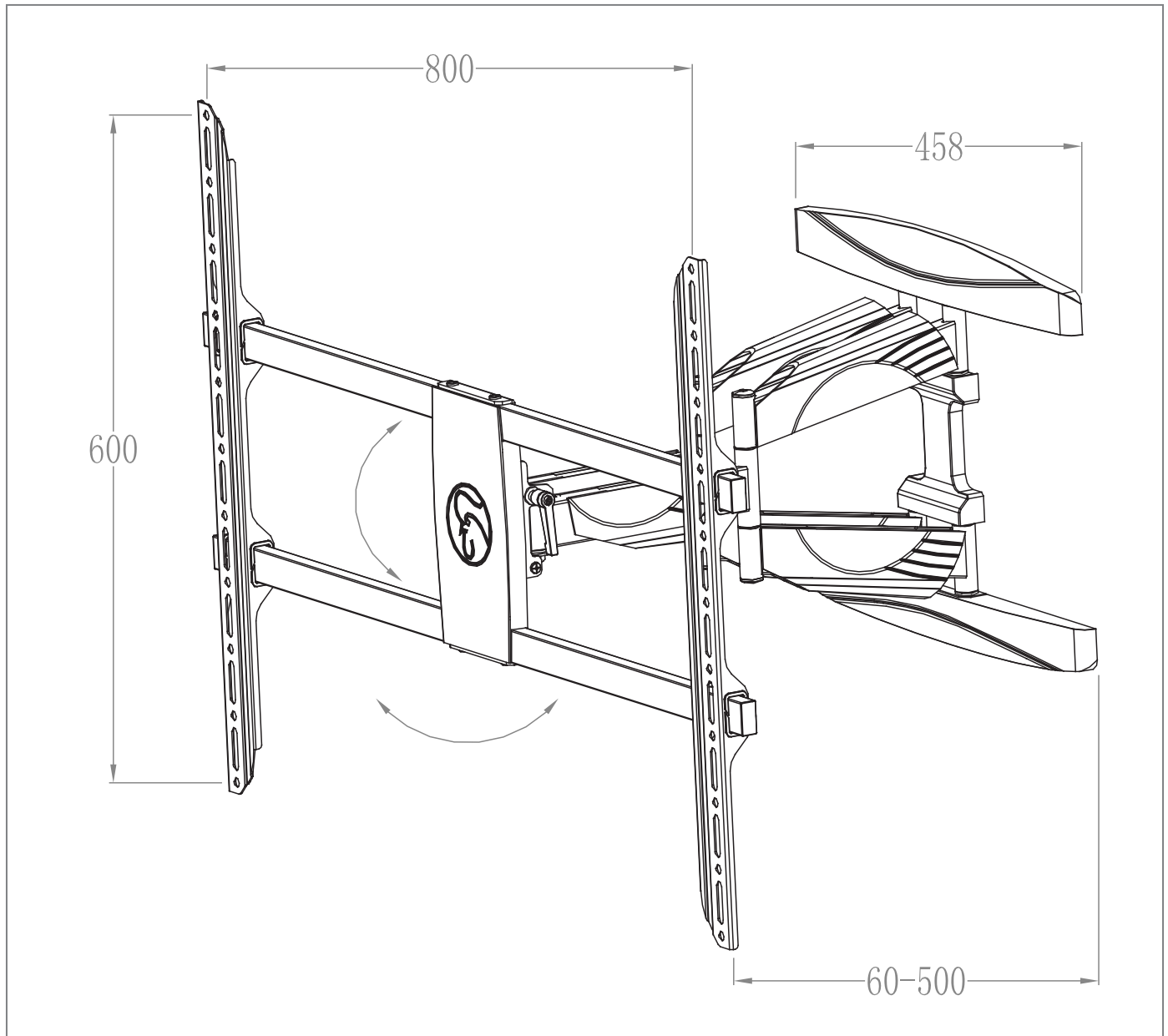
* Not recommended for touch applications from 65". | Technical changes reserved | This document is the property of HAGOR Products GmbH. Forwarding and duplication of this document, utilization and communication of its contents are not permitted unless expressly permitted. A violation obliges you to pay compensation. All rights reserved in the event of a patent, utility model or design registration.

BrackIT[®] XL HD

fullmotion wall mount

Item no.: 1987

- Landscape or portrait orientation
- 55 - 75" | 140 - 191 cm*
- incl. VESA universal mount, VESA 800 x 600 mm max.
- -2° to +12° continuously tiltable
- Tilt angle adjustable without tools, can be locked by turning the handles on the side
- ± 45° swivel, depending on the screen size
- ± 5° subsequent level compensation
- variable distance to wall, 60 min. to 500 mm max.
- Cable routing with cable clips
- 80 kg maximum load
- Colour: black



* Not recommended for touch applications from 65". | Technical changes reserved | This document is the property of HAGOR Products GmbH. Forwarding and duplication of this document, utilization and communication of its contents are not permitted unless expressly permitted. A violation obliges you to pay compensation. All rights reserved in the event of a patent, utility model or design registration.